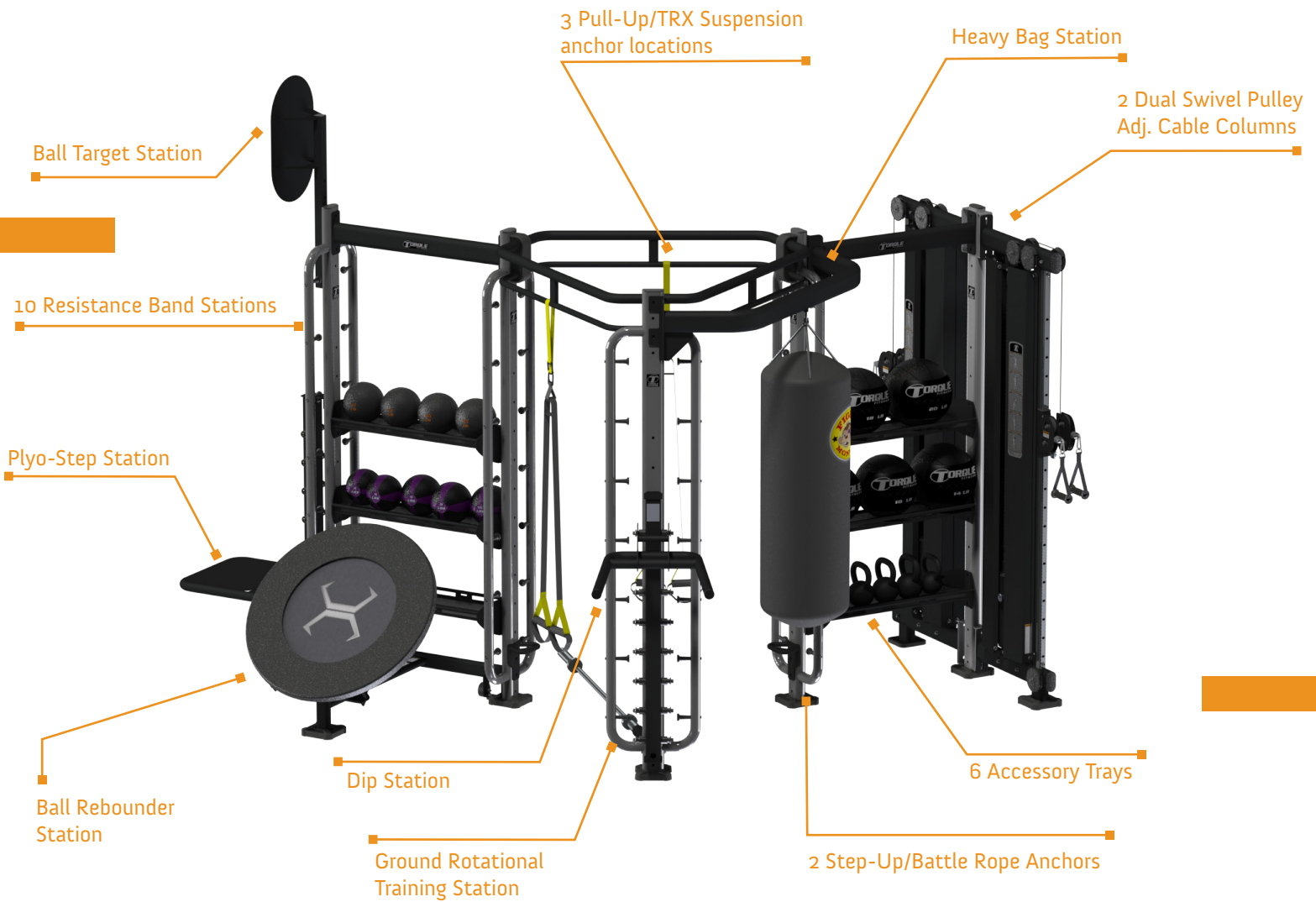
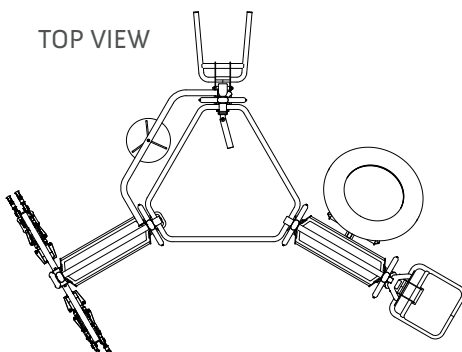




# SPIDER 1 X3 PACKAGE



Model number	XLS1-X3
Footprint	100.3" x 151.8" (255 cm x 386 cm)
Height	Frame 98.5" (250 cm) Ball Target 129.0" (328 cm)
Minimum Required Live Area	19.5' x 18.0' (5.9 m x 5.5 m)
Warranty	10 year frame and welds/1 year parts/90 days misc.



Note: Accessories shown are not included; X-Lab is required to be bolted to a concrete sub-floor

