



Innovative FITNESS

CLM Cable Column

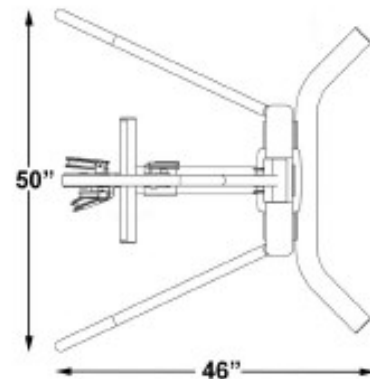


STANDARD FEATURES

- ✓ Eighteen height positions.
- ✓ Dual handles.
- ✓ 4:1 cable pulls on each handle.

OPTIONAL FEATURES

- ✓ Steel shrouds powder coated and clear coated for a mar resistant lustrous finish.
- ✓ Standard 200 lb. tiered weight stack is upgradeable in 50 lb. increments to 300 lbs.



Lifetime limited warranty on frame, welds and weights; one year on cables and moving parts. See warranty for details.

Toll Free: 877.720.4004 Local: 770.218.9390 Web: InnovativeFIT.com

