



Innovative FITNESS

CT-MAB Multi-Ab/Back



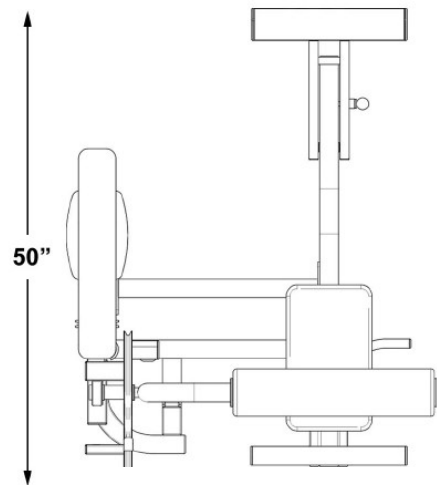
STANDARD FEATURES

- ✓ Adjustable seat height and foot brace positions accommodate a wide range of users.
- ✓ AB/Back pad has five adjustments for varying ranges of motion.
- ✓ Easy access weight stack.
- ✓ Compact design and ball bearing pivots.

OPTIONAL FEATURES

- ✓ Steel shrouds powder coated and clear coated for a mar resistant lustrous finish.
- ✓ Standard 200 lb. tiered weight stack is upgradeable in 50 lb. increments to 300 lbs.

Lifetime limited warranty on frame, welds and weights; one year on cables and moving parts. See warranty for details.



Toll Free: 877.720.4004 Local: 770.218.9390 Web: InnovativeFIT.com

 **Innovative**
FITNESS